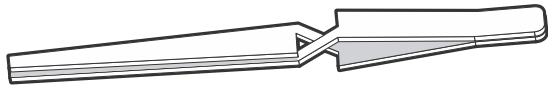
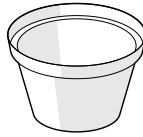


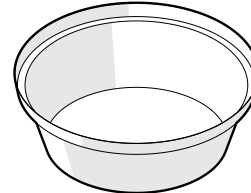
Note: Part numbers and standards' values may change. Consult LECO for the latest information.



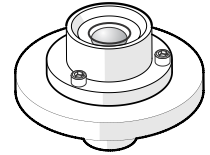
760-138 TWEEZER



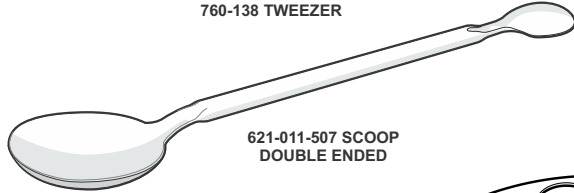
621-010-236
1.51 DIA ALUMINUM
FOIL CRUCIBLE



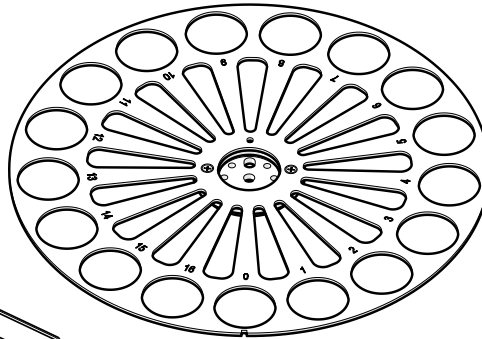
621-010-956
2.40 DIA ALUMINUM
FOIL CRUCIBLE



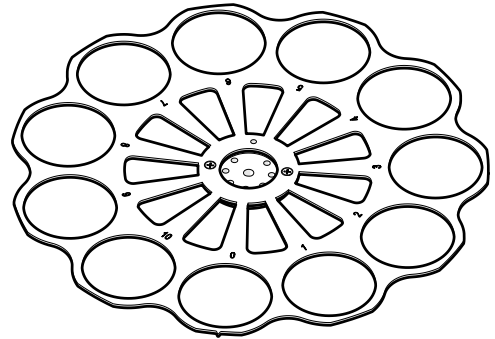
621-011-397
PEDESTAL
LEVEL ASSY.



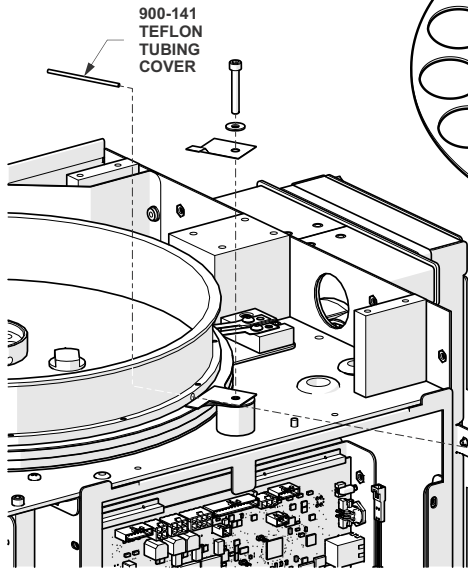
621-011-507 SCOOP
DOUBLE ENDED



621-010-642
17 PLACE CAROUSEL



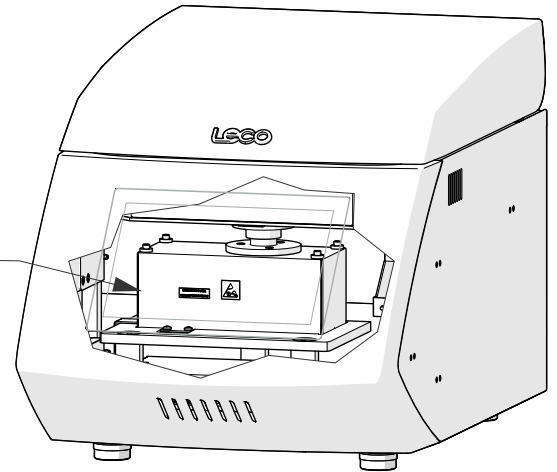
621-011-237
11 PLACE CAROUSEL



900-141
TEFLON
TUBING
COVER

621-011-113
THERMOCOUPLE

621-010-609-110
BALANCE

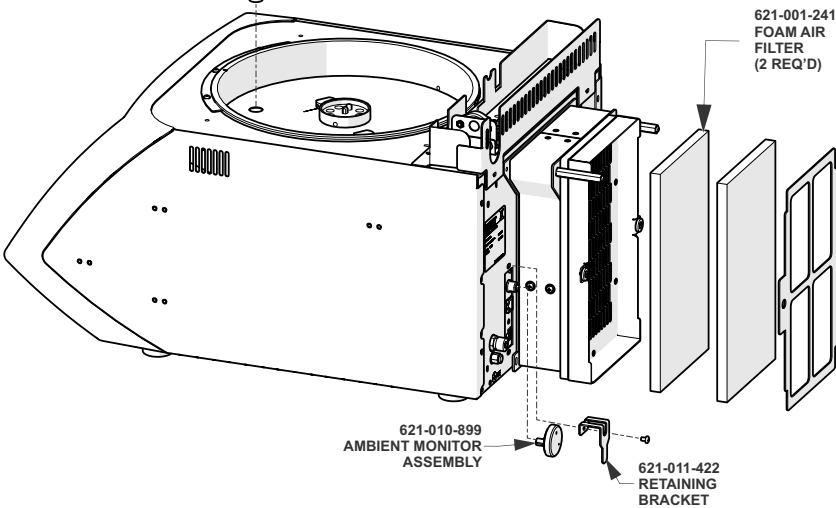


621-010-340
CRUCIBLE PEDESTAL

621-011-228
PEDESTAL BALANCE

621-011-251
PEDESTAL SHIELD

621-001-241
FOAM AIR
FILTER
(2 REQ'D)



621-010-899
AMBIENT MONITOR
ASSEMBLY

621-011-422
RETAINING
BRACKET



Optional Accessories

621-011-553 Weight Calibration 50 g
 619-995 Scanner Bar Code Laser USB
 619-593-570 Scanner Bar Code Laser Bluetooth
 621-011-560 Kit Oven Temp Verification
 621-011-574 Kit Extension Exhaust TGM

Crucibles and Spare Parts

502-237 Wipes Foam 25/pk
 621-011-240 Filter Air Foam 6.00 x 11.00 x 1.00 25 ppi
 621-011-241 Filter Air Foam 6.00 x 11.00 x 1.00 10 ppi
 621-011-103 Filter Air Foam 6.00 x 11.00 x 1.00 45 ppi
 621-010-609-110 Assy Balance Complete TGM Tested
 621-010-236 Crucible Foil Alum 1.51 dia 1000/pk
 621-010-956 Crucible Foil Alum 2.40 dia 1000/pk

TGA/TGM Check Samples

Part No.	Class	Description	% Weight Loss				Contents
			at 150°C	at 200°C	at 400°C	at 850°C	
502-968	LCRM	Sodium Tartrate Dihydrate	15.7	—	—	—	50 g