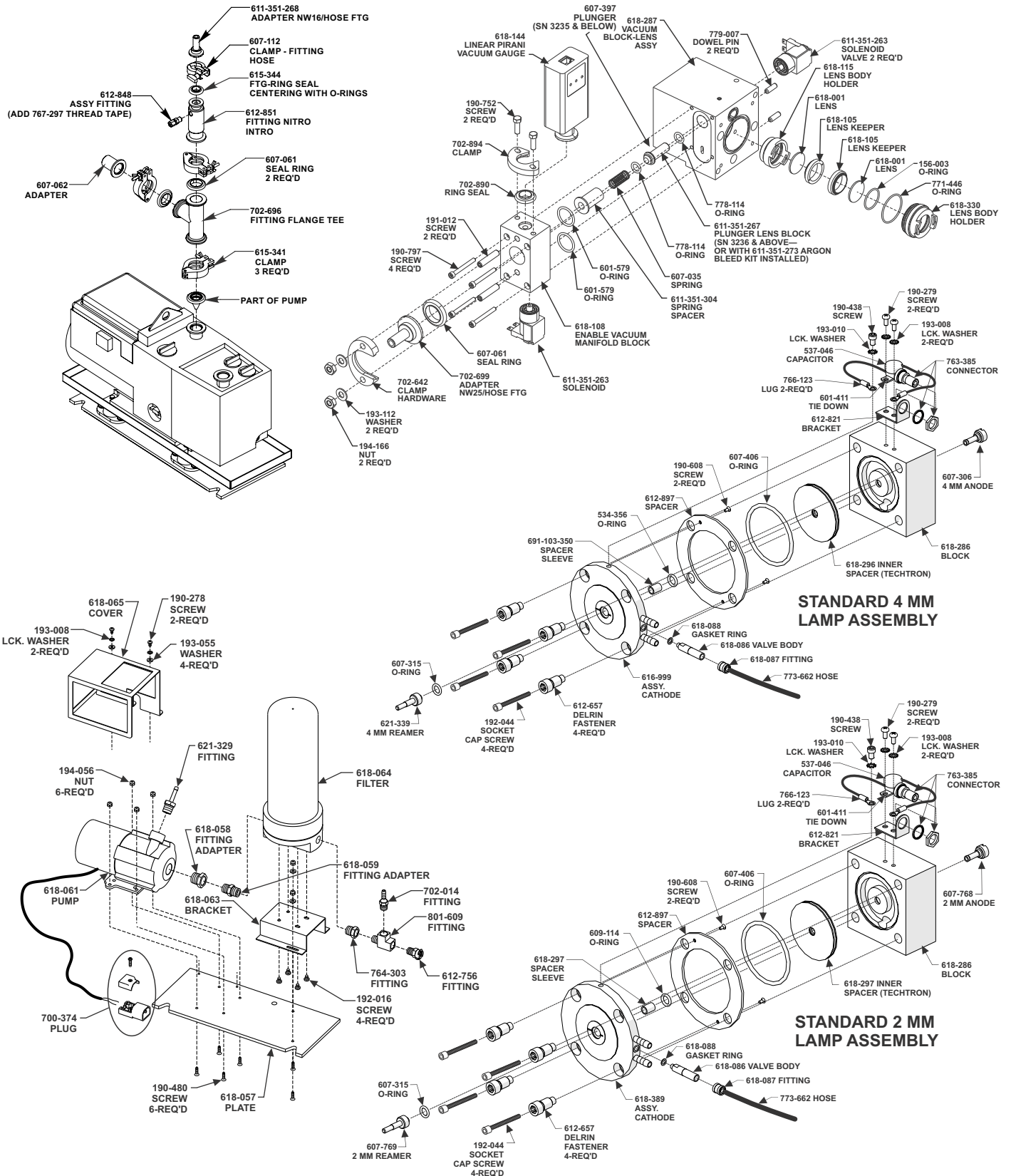


Note: Part numbers and standards' values may change. Consult LECO for the latest information.



See reverse side for contact information

## CONSUMABLES

502-234-HAZ Alcohol  
502-237 Foam Wipes (25/pkg)  
534-356 Inner Sleeve O-ring (red)  
607-306 Anode, 4 mm  
607-315 Outer Sleeve O-ring (blue)  
691-103-350 Lamp Sleeve, 4 mm  
621-339 Reamer/Facer Bit Assembly, 4 mm, coated  
618-296 Inner Spacer  
618-297 Inner Spacer 2 mm (tiny)  
607-406 Ceramic Spacer O-ring (red)  
156-003 Lens to Keeper O-ring  
779-377 Vacuum Pump Oil (400 ml)  
502-629 Lens Cleaning Tissue  
619-572 Reamer Bit, 4 mm (soft metals)  
612-657 Screw Fastener Lamp Delrin  
615-797 Swab, Cotton 6"  
607-437 Water Tubing, 1 ft. (NOTE: 13 ft. required)  
618-242 Bulkhead Tubing Connectors  
702-656 Mist Filter

## SPARES

618-229 Lamp Rebuild Kit, 2 mm Lamp; Includes  
(2) 190-608 Screw, (2) 534-356 O-ring,  
(2) 607-315 O-ring, (2) 607-399 Spacer Sleeve  
(1) 618-296 Inner Spacer, (1) 607-406  
O-ring, (2) 607-768 Anode Removable 2 mm,  
(1) 607-769 Assy Reamer/Facer 2 mm,  
(4) 612-657 Screw Fastener Lamp Delrin,  
(1) 612-897 Spacer Front Lamp 98  
618-228 Lamp Rebuild Kit, 4 mm Lamp; Includes  
(2) 190-608 Screw, (2) 534-356 O-ring Internal  
Lamp, (2) 607-306 Anode 4 mm Removable,  
(2) 607-315 O-ring Blue Lamp Face, (2) 607-399  
Ceramic Sleeve, (1) 621-339 Reamer/Facer Assy,  
(1) 618-296 Inner Spacer, (1) 607-406 O-ring  
Large, (4) 612-657 Screw Fastener Lamp Delrin,  
(1) 612-897 Spacer Front Lamp  
618-158 O-ring Package; Includes (1) 156-003 Lens Holder  
Lamp Side, (1) 534-356, Inside Ceramic Sleeve,  
(2) 601-579 Vacuum Block/Lens Block,  
(4) 607-315 Lamp Outer, (1) 607-406 Ceramic  
Spacer (Big), (1) 760-226 Slot on Lens Block,  
(1) 771-446 Outside Lens Holder—Lamp Side,  
(2) 778-114 Poppet Valve, (1) 779-513 Between  
Lamp Block and Lens Block

## OPTIONS

607-768 2 mm Anode  
612-933 Reamer (Drill Kit) - Soft Materials (4 mm Source)  
619-580-107 Sample Holder Assembly, 3 mm, Wire  
612-798 Sample Holder Assembly, 13 mm, Briquettes  
612-774 Sample Holder Assembly, Porous Samples  
612-775 Sample Holder Assembly, TRS Bar Holder  
607-769 Reamer Assembly, 2 mm  
618-390 2 mm Small Lamp Kit (6 mm O-ring); Includes  
(2) 190-608 Screws, 607-406 O-ring, 607-771  
Reamer Alignment Tool, 609-114 O-Ring,  
(4) 612-657 Screws, 612-812 Anode Tool Assy  
(2-4 mm), 612-897 Front Lamp Spacer, 618-297  
Inner Lamp Spacer, 618-382 O-ring, 618-383  
Anode Tool Assy (2 mm), 618-384 Reamer/Facer  
Assy, 618-385 Spacer Sleeve, 618-388  
Removable Anode, 618-389 Cathode Assy,  
618-390-901 Bulletin Lamp Kit, 619-884 Anode  
Alignment Tool Assy, 619-885 Spacer Removal  
Tool Assy

## OPTIONS (Continued)

618-227 2 mm Lamp Kit, Standard Size  
611-351-273 Argon Bleed Kit  
607-309 Assy Tool Reamer, 4 mm

## TOOLS

612-399 Anode Depth Gauge  
617-274 Anode Alignment/Sleeve Removal Tool  
612-799 Sleeve Removal Tool  
618-241 Nut Removal Tool  
618-156 Tool Kit; Includes (1) 607-301 Allen Wrench  
Set—Hexadecimal, (1) 607-308 Anode Tool 4 mm,  
(1) 607-309 Reamer Tool 4 mm, (1) 607-609 Allen  
Wrench Set—Hexadecimal (Metric), (1) 607-791  
Pump Drain Tube, (1) 612-599 Reamer Alignment  
Tool 4 mm, (1) 612-772 Water Drain Tube,  
(1) 618-102 Lens Removal Tool, (1) 618-153  
Water Fill Tool, (1) 769-491 Adjustable  
Wrench—8.0 inch, (1) 633-103-149 Alignment Tool  
619-884 Anode Alignment Tool  
633-103-149 Post Reamed Alignment Tool, 4 mm

## TOOLS FOR 2 mm SMALL (6 mm O-Ring)

607-771 Alignment Tool  
618-383 Anode Tool  
619-884 Alignment Tool  
619-885 Small Sleeve Removal Tool

## PMA PREVENTIVE MAINTENANCE KITS

104-140 Standard PMA Kit (4 mm DC) Includes:  
(1) 534-356 O-ring, (1) 607-306 Anode Removable  
4 mm, (1) 607-315 O-ring, (1) 607-399 Sleeve Lamp  
4 mm, (1) 607-406 O-ring, (2) 612-657 Screw Lamp  
Delrin, (1) 621-339 Assy Reamer/Facer 4 mm,  
(2) 779-377 Oil Vacuum Pump 400 mL  
104-141 Extended PMA Kit (4 mm DC Yearly)  
Includes all the parts in the 104-140 PMA Kit above,  
as well as: (1) 156-003 O-ring, (2) 601-579 O-ring,  
(1) 618-296 Spacer Lamp Inner 4 mm, (1) 702-656  
Filter Exhaust w/DXS Element, (1) 760-226 O-ring,  
(1) 771-446 O-ring, (2) 778-114 O-ring, (1) 779-513  
O-ring

*NOTE: Part numbers and standards' values may change.  
Consult LECO for latest information.*