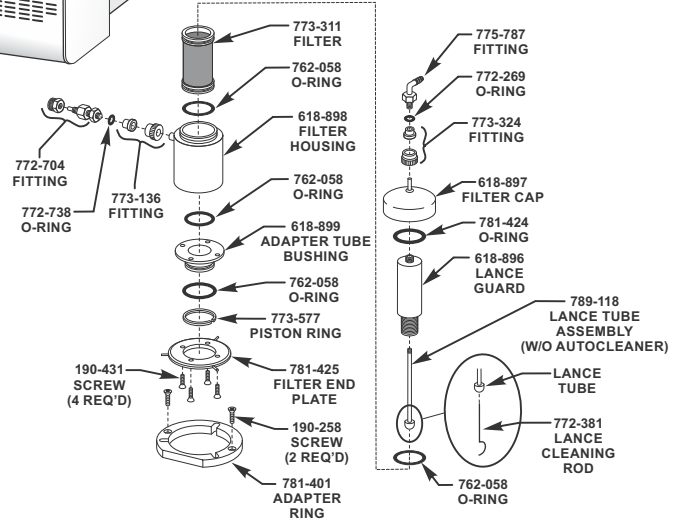
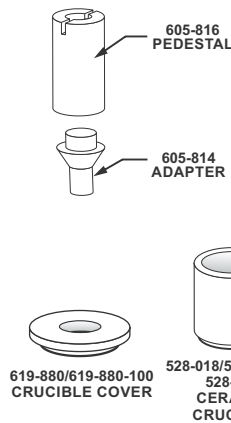
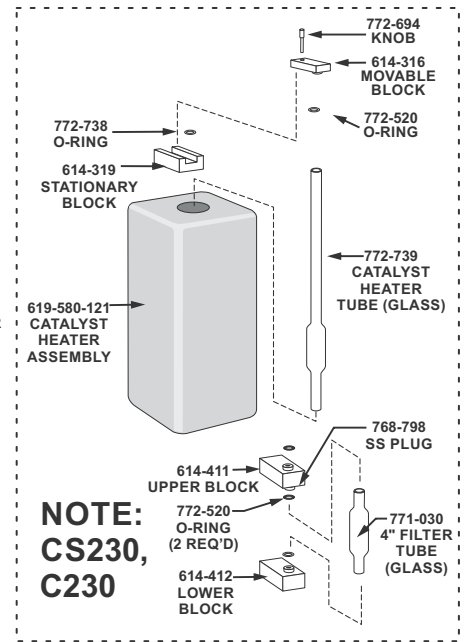
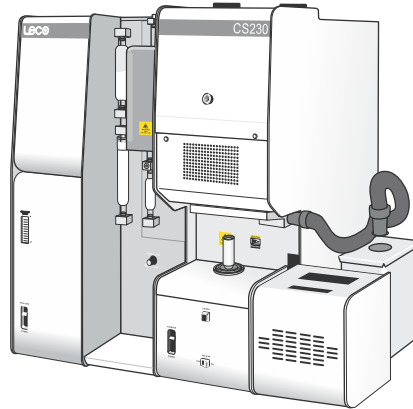
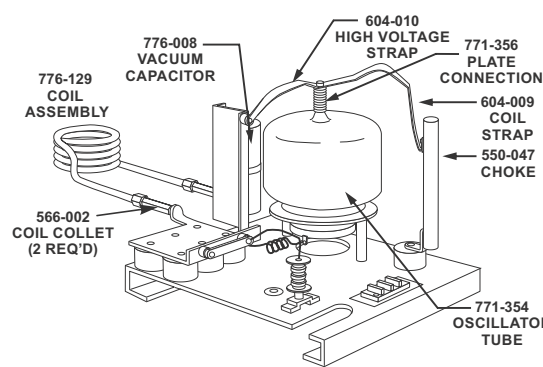
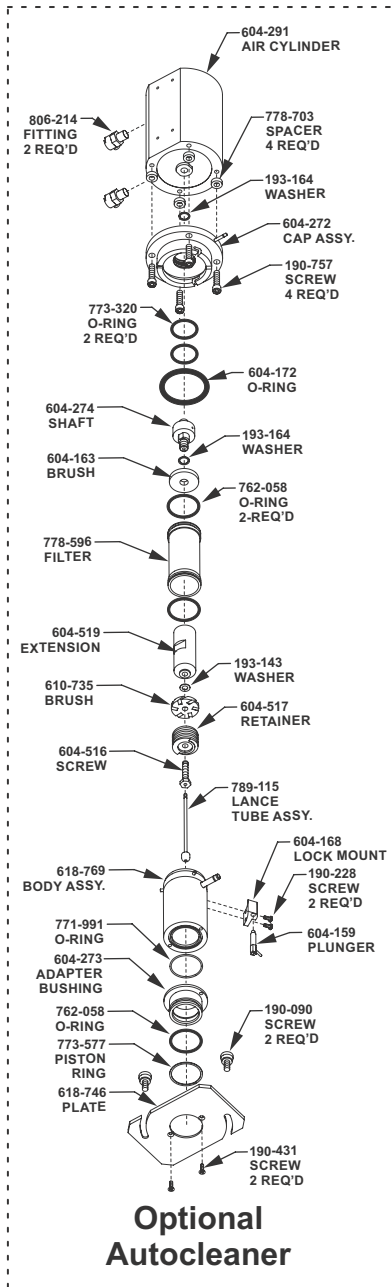


Note: Part numbers and standards' values may change. Consult LECO for the latest information.



Manual Cleaner

COMBUSTION SUPPLIES

- 528-018 Ceramic Crucible 1000/box
- 528-018HP 0 Sulfur Blank 1000/box
- 528-050 Ceramic Crucible 500/box, bags of 50
- 619-880 Crucible Cover 1000/Box
- 619-880-100 Crucible Cover 100/Box
- 772-905 Combustion Tube (Quartz)
- 772-906 Combustion Tube Ring
- 601-920 O-ring (Bottom of Combustion Tube)
- 762-058 O-ring (Top of Combustion Tube)
- 501-082 Wire Cleaning Brush
- 789-118 Lance Tube Assembly (w/o Autocleaner)
- 789-115 Lance Tube Assembly (w/Autocleaner)

ACCELERATORS

- 502-492 Copper Accelerator HP (0.44 lb./200 g)
- 501-263 Cu Chip Accelerator (-10 +30 mesh) (3 lb./1.36 kg)
- 501-077 Fe Chip (2 lb./0.9 kg)
- 763-467 Fe Chip (25 lb./11.35 kg)
- 501-264 Cu Chip (0.5 lb./227 g)
- 502-231 HP Fe (1 lb./0.5 kg)
- 763-026 LECOCEL® (30 lb./13.6 kg)
- 763-266 LECOCEL® (5 lb./ 2.27 kg)
- 501-008 LECOCEL® II (5 lb./2.27 kg)
- 502-173 LECOCEL® II HP (1.7 lb./0.75 kg)
- 502-297 LECOCEL® II (30 lb./13.6 kg)
- 763-027 LECOCEL® III (30 lb./13.6 kg)
- 763-263 LECOCEL® III (5 lb./2.27 kg)

See reverse side for contact information

CATALYSTS AND REAGENTS

501-171-HAZ Anhydrone (1 lb./454 g)
764-098 Cellulose (1 lb./454 g)
501-081 Glass Wool (1 lb./454 g)
502-174-HAZ Lecosorb (500 g–20/30 Mesh)
501-587 Platinum/Silica (15 g)
502-177 Quartz Wool (50 g)

REAGENT TUBES

601-390 Anhydrone Tube (Glass)
772-739 Catalyst Heater Tube (Glass)
771-030 Cellulose Filter Tube (Glass)
605-700-087 O-ring Pack
771-373 Reagent Tube–Measure Flow (Glass)

ACCESSORIES

761-929 Crucible Tong
789-149 EMI Gasket
503-032 Glass Scoop
773-579 Metal Accelerator Scoop, SST
760-138 Sample Tweezers, Straight
775-306 Secondary Filter, 10 micron
501-241 Vacuum Grease

Please Note: Quartz Tubes are typically utilized for higher temperature applications (i.e. catalyst tubes). Glass reagent/filter tubes are designed for lower temperature applications. Glass tubes should not be used in place of quartz tubes.

NOTES: Part numbers and standards' values may change. Consult LECO for latest information.

United States: 800-292-6141 • Canada: 800-268-0215 • Other Countries: 269-985-5496
info@leco.com • www.leco.com • ISO-9001:2015 Q-994 • © 2021 LECO Corporation